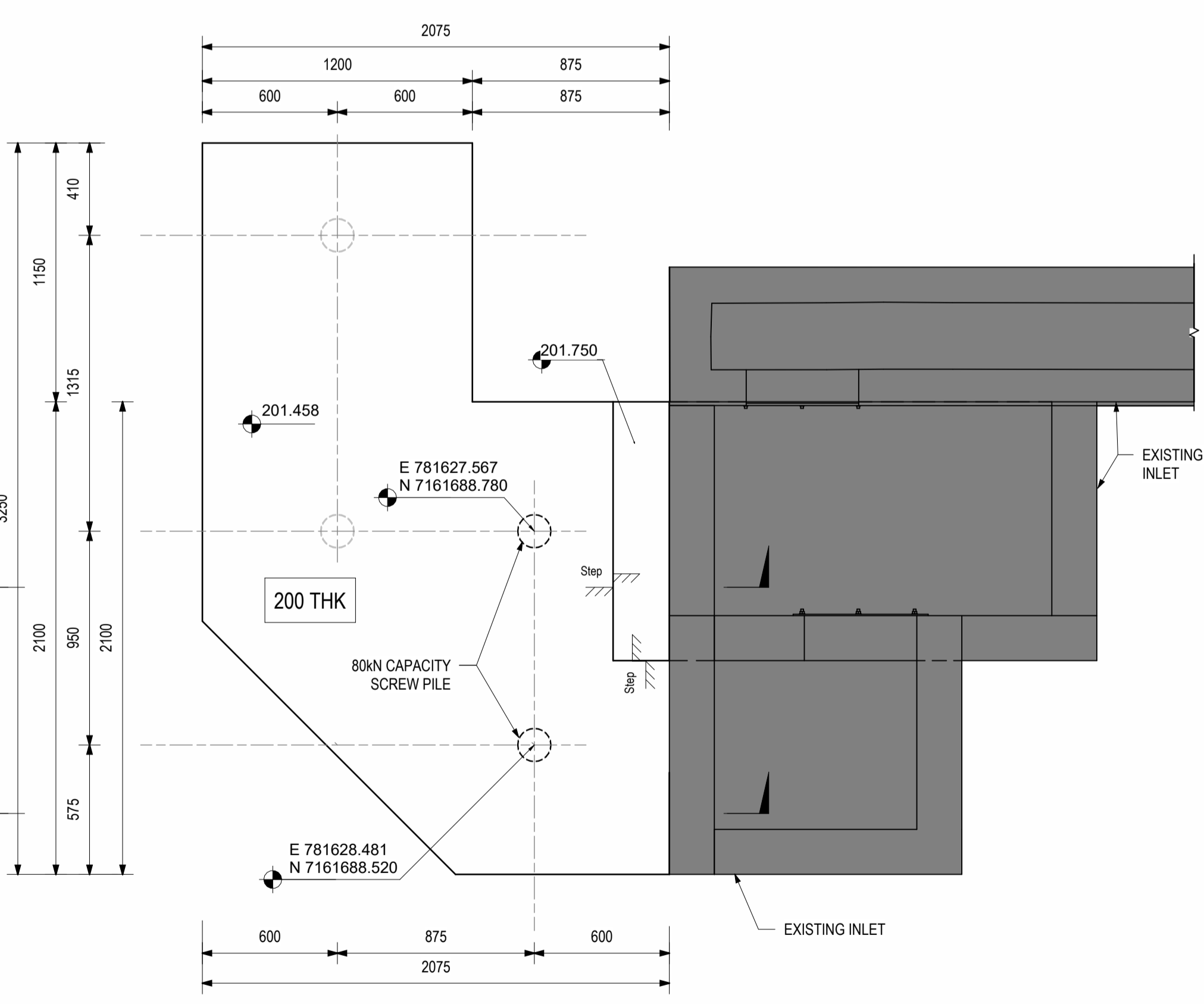


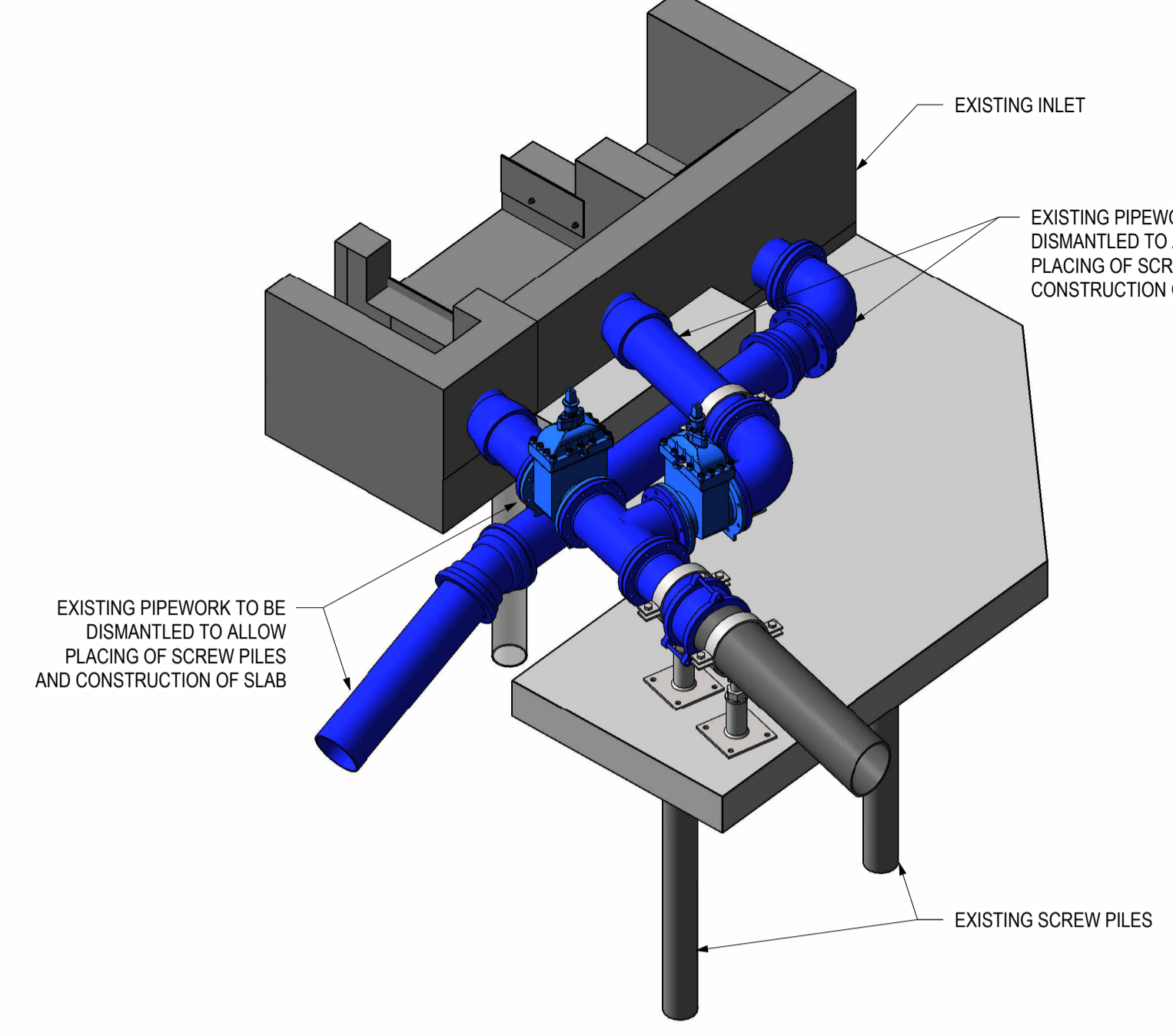
**INLET SLAB GENERAL ARRANGEMENT PLAN**

SCALE: 1:20

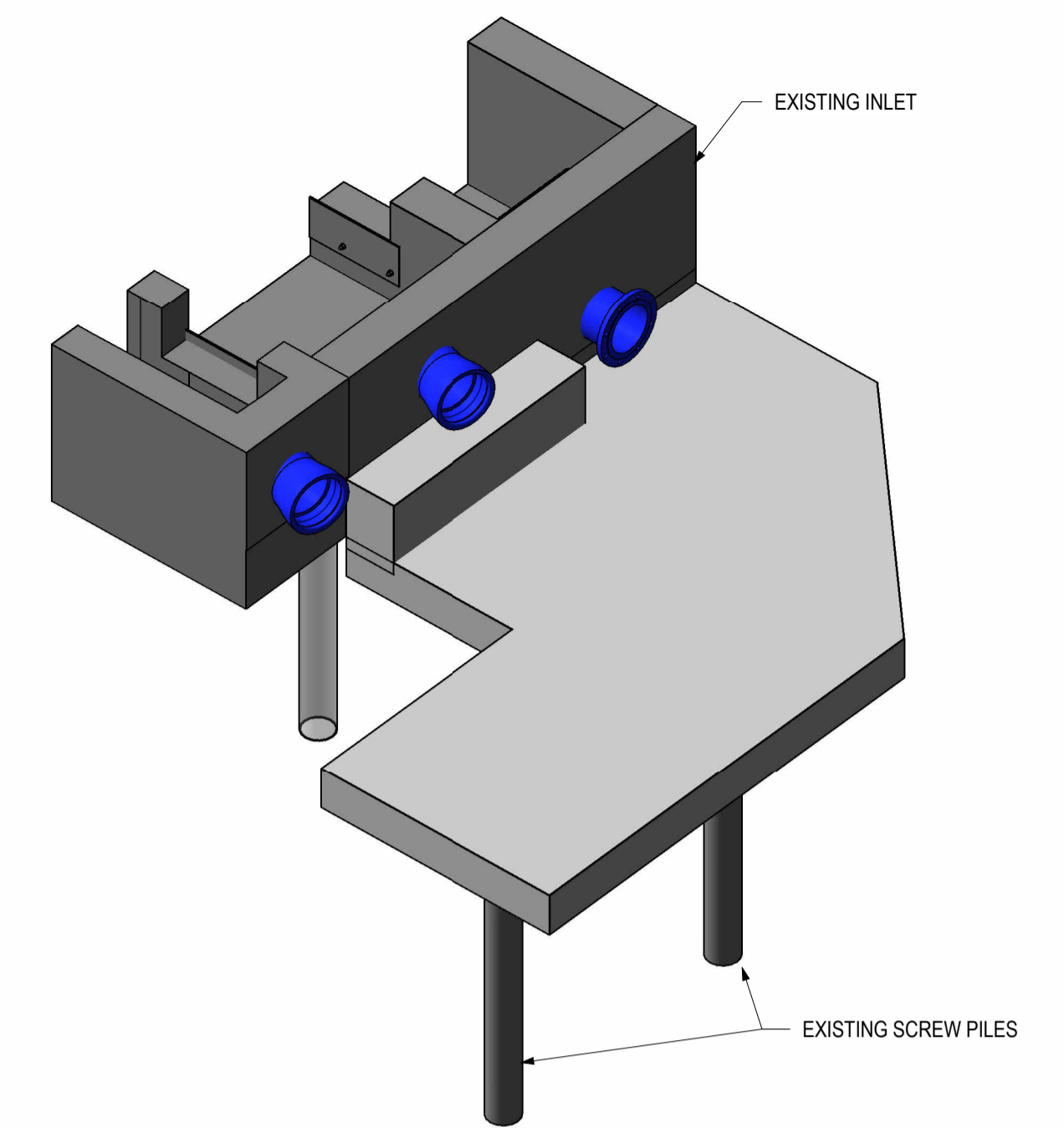


**INLET SLAB SET OUT PLAN**

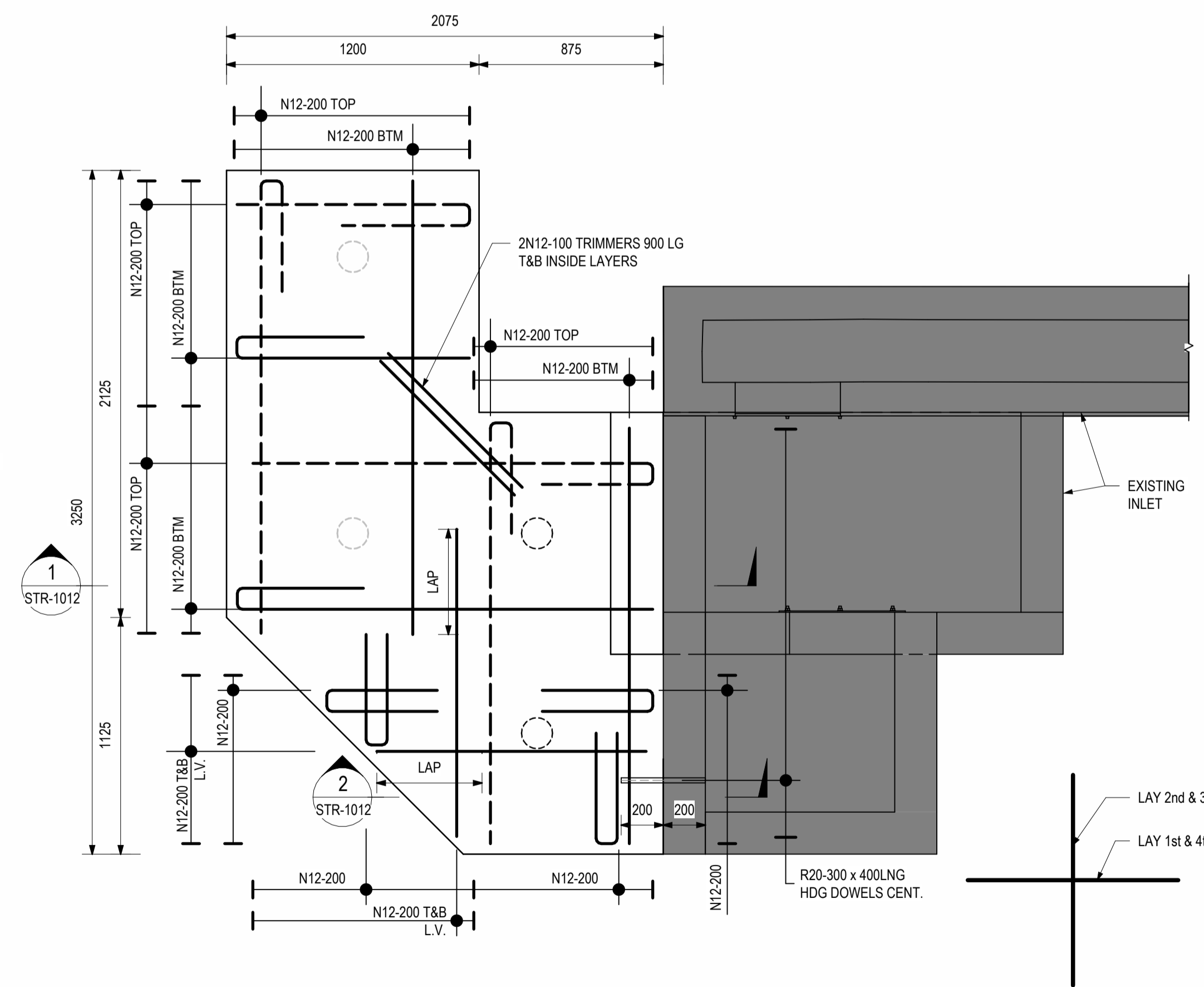
SCALE: 1:20



**3D VIEW - INLET SLAB GENERAL ARRANGEMENT**

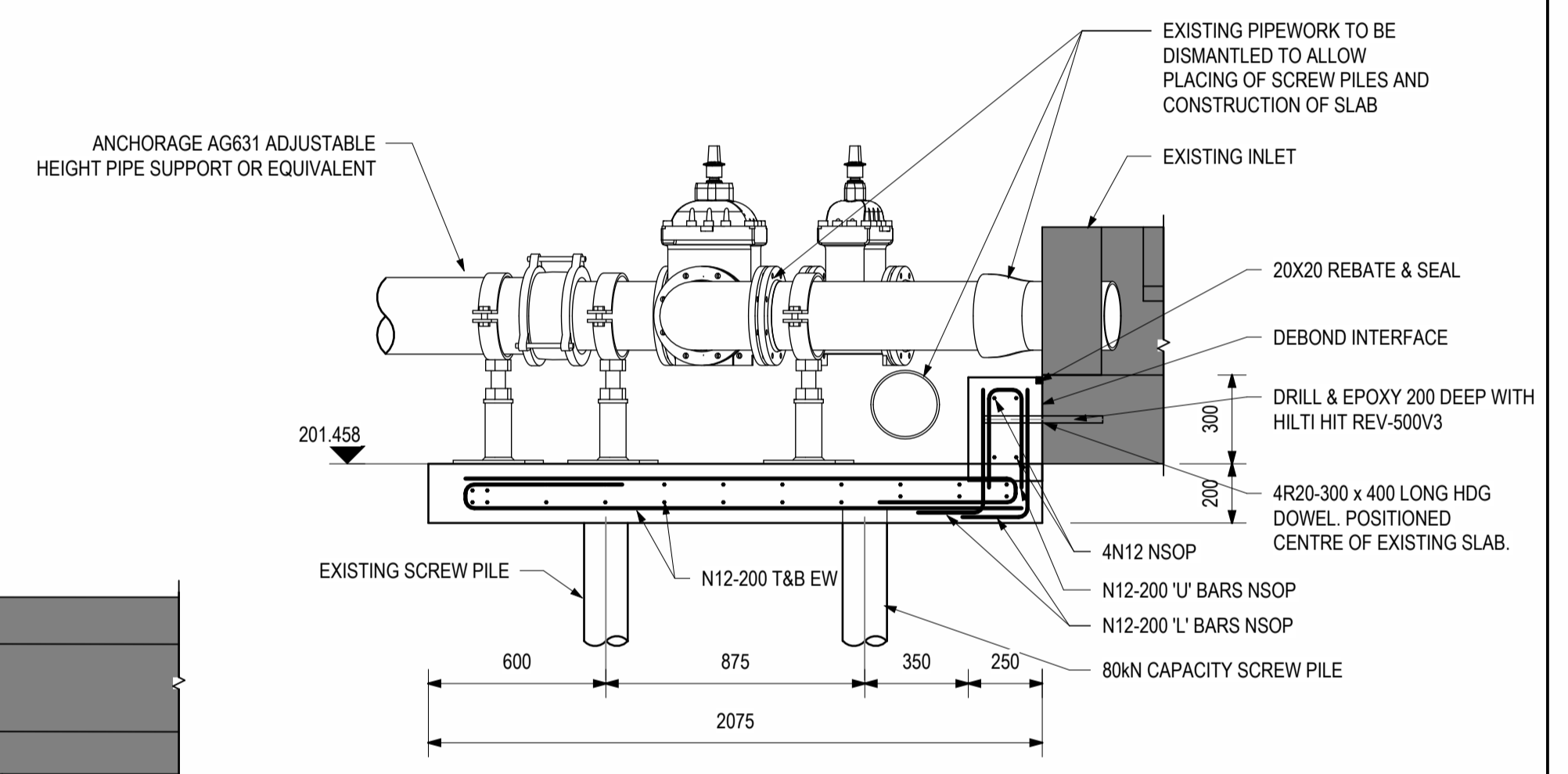


**3D VIEW - INLET SLAB**



**INLET SLAB REINFORCEMENT PLAN**

SCALE: 1:20



**SECTION 1**  
1:20

STR-1012

1

1:20

STR-1012

1

1:20

STR-1012

1

1:20

STR-1012

1

1:20

STR-1012

1

1:20

STR-1012

1

1:20

STR-1012

1

**REINFORCEMENT LAYER SEQUENCE**

SCALE: 1:1



REV	DESCRIPTION	DATE	DWN	CP	PG	APP
0	ISSUED FOR CONSTRUCTION	24.05.23				
	REVISIONS					

AS CONSTRUCTED	REV
NAME:	
DATE:	
SIGNATURE:	
RPEQ No.	
FOR CONSTRUCTION	REV 0
NAME:	P. GILL
DATE:	24.05.23
SIGNATURE:	
RPEQ No.	3227



DRAWING STATUS	<b>CONSTRUCTION</b>
TITLE	TAROOM SEWAGE TREATMENT PLANT UPGRADE INLET SLAB GENERAL ARRANGEMENT PLAN, SLAB SETOUT PLANS, SLAB SECTIONS & DETAILS
DRAWING NUMBER	TARSTP -DWG- STR-1012
REVISION	0